



62600-XNCF-K0S0 CIVIC TYPE R FRONT BUMPER GARNISH

Installation/Handling Manual

Thank you for purchasing an infinite product.

Please make sure you understand the following precautions before installing. Be sure to hand this manual to the customer after installation.

please note

1. Immediately after unpacking, check that the contents of the package (see the parts list) are not missing or damaged.
2. Before installation, check the model of the installed vehicle, vehicle color and product color.

[Applicable model] CIVIC TYPE R (DBA-FK8)

[Color code]	Infinity color symbol	Honda color symbol	Color Name
CW	NHO		Championship White Crystal
CB	NH731P		Black Pearl Brilliant Sporty Blue Metallic Frame
BT	B593M		Red
FR	R513		
ZZ	-		Unpainted

3. Please note that we assume no responsibility for any problems or accidents caused by modification, improper installation or misuse of this product.
4. For attachment/detachment of genuine parts, follow the service manual.

If you have any questions, please contact us below.

Domestic Sales Division, Product Division, M-TEC Co., Ltd.

2-15-11 Kashiori-cho, Asaka-shi, Saitama 351-8586, Japan

[Business hours from 10:00 to 17:00 (excluding weekends, holidays, and our regular holidays)]

TEL. 048-462-3131 FAX. 048-462-3121

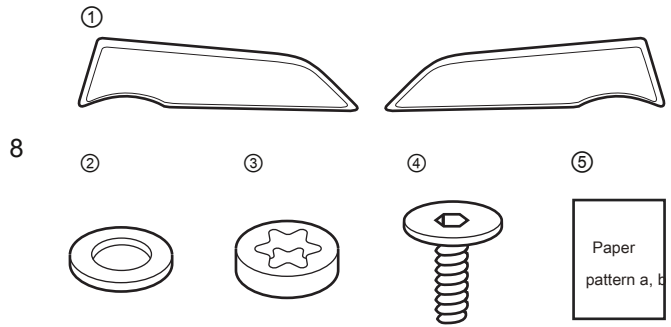
To customers

1. If the front bumper garnish is damaged or deformed due to accident or contact, immediately repair or remove it. Running as it is may cause an accident and is extremely dangerous.
2. Please avoid washing the car with an automatic car washing machine. Excessive force is applied to the front bumper garnish, causing damage
It may be.
3. Periodically check looseness and looseness of bolts and nuts, and check the mounting condition.

[Component list]

No. PARTS NAME. QTY.

- ① Front bumper garnish R/L 2
- ② Washer
- ③ Spacer 4
- ④ Low head bolt 4
- ⑤ Pattern 1



Only unpainted products Not installed

No. PARTS NAME. QTY.

- ⑥ L-shaped mall for each 2



[Necessary tools]

- Plus driver · Clip remover · Hexagon wrench · Torque wrench
- Masking tape · Scissors · Cutter · Drill $\phi 3, \phi 5, \phi 7$ · Isopropyl alcohol · Waste

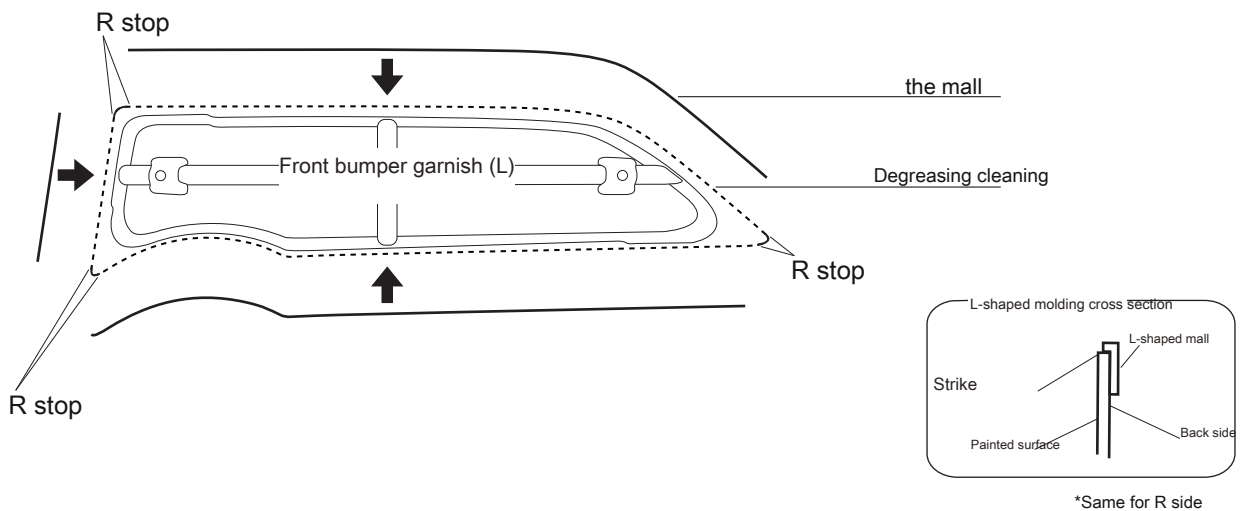
◆◆ Precautions for painting ◆◆

1. We recommend normal temperature drying. The maximum baking temperature for forced drying is 60°C. Please note that heating above 60°C may cause deformation.
2. For other matters, work in accordance with the instruction manual of the paint manufacturer to prevent the danger of organic solvent poisoning and fire accident, and perform the work.
3. Do not use spot drying with a far infrared device.

Recommended paint: Two-component acrylic urethane resin paint (room temperature dry type)

(1) If the product is unpainted, attach the L-shaped molding to the front bumper garnish after painting. At this time, degrease the pasting surface.

[Back view]



I. Preparation for installation

《Caution》 · Be careful not to damage the front bumper garnish and the car body.

· Work with other people holding the work. · Do the same work on the left and right.

② Remove the front bumper from the car body. (Refer to the service manual) Be careful not to lose or damage the bolts, clips, and tapping screws that were removed at that time.

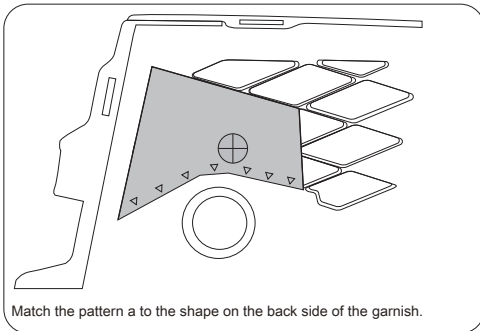
③ Remove the front bumper side garnish from the front bumper. (Refer to service manual)

The clip removed at that time will be reused, so be careful not to lose or damage it.

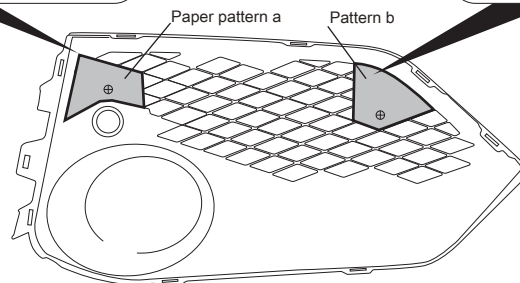
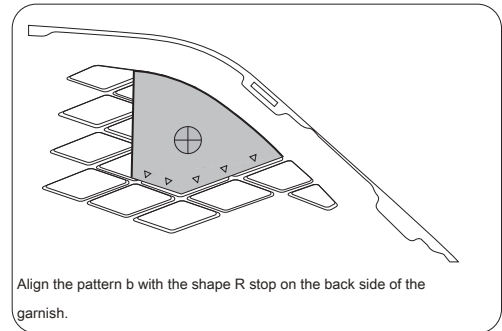
④ Put patterns a and b Front bumper Backside of side garnish Masking at the position shown below
Attach with tape.

[Back view]

[Enlarged view] Paper pattern a



[Enlarged view] Pattern b

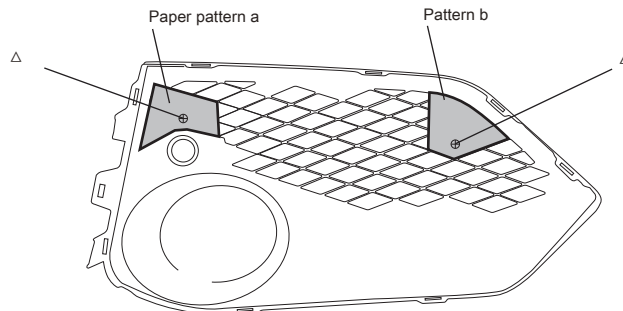
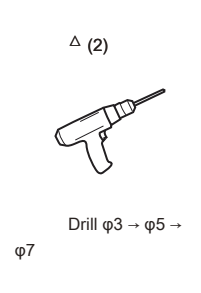


*Same for R side

(5) Drill two $\phi 7$ ($\phi 3 \rightarrow \phi 5 \rightarrow \phi 7$) through holes according to the positions of the patterns a and b.

After drilling, remove the burr around the hole.

[Back view]



*Same for R side

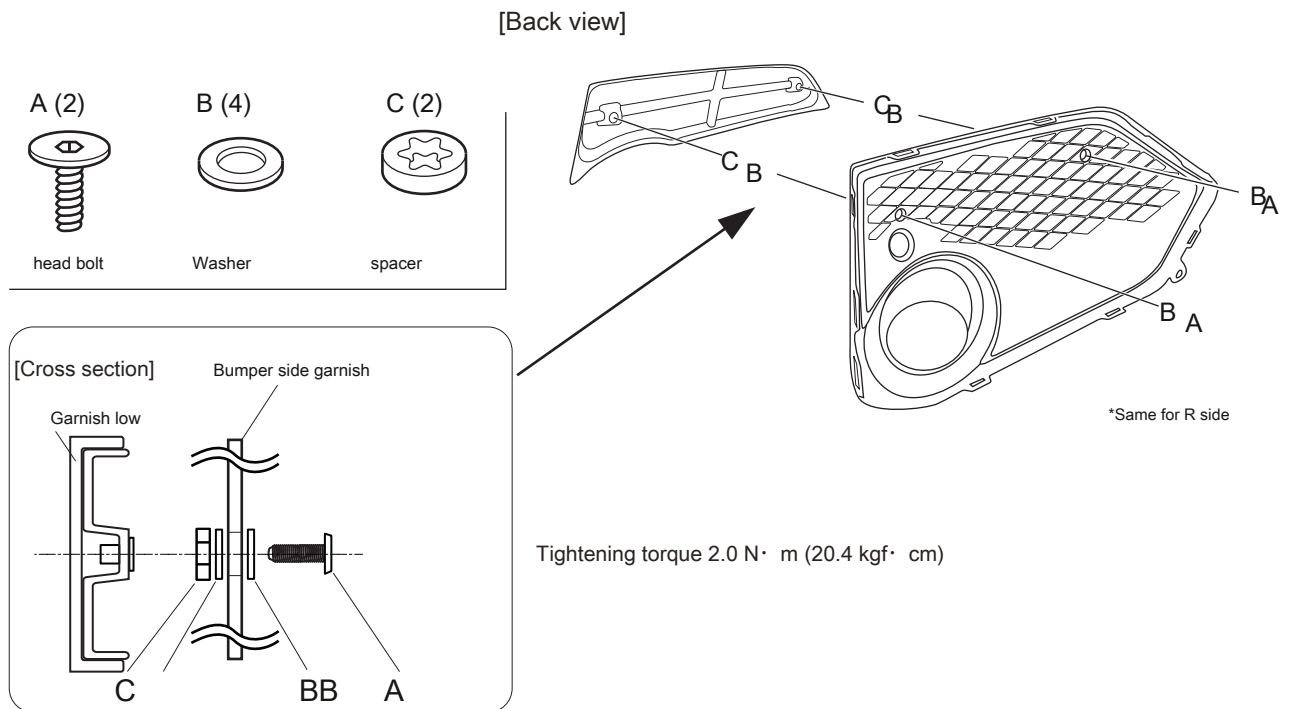
⑥ Peel off the patterns a and b.

II. Front bumper garnish installation

《Caution》 · Be careful not to damage the front bumper garnish and the vehicle body.

· Work with other people holding the work. · Do the same work on the left and right.

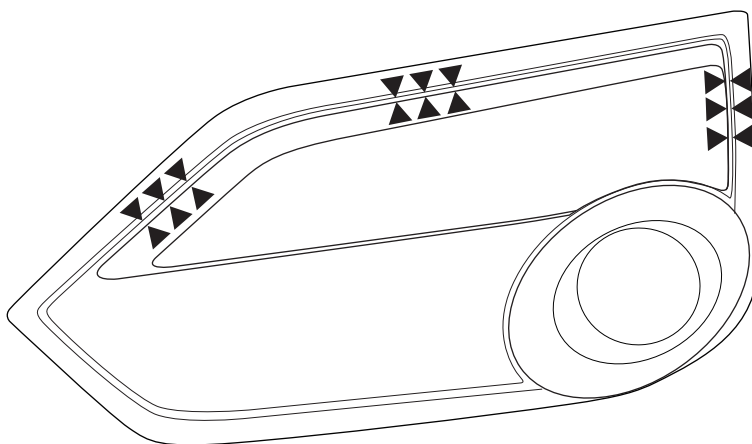
(1) Insert the bolt (A) from the back side of the front bumper side garnish, and temporarily attach the washer (B) and the spacer (C) in that order.



(2) Adjust the clearance between the front bumper side garnish and the front bumper garnish with a constant clearance for both R and L (see the figure below), and then tighten the bolts (A) completely (tightening).

Torque 2.0 N·m (20.4 kgf·cm)) Do.

[Front view]



* Install along the shape so that the gap between the ends of the garnish is even on the left and right sides.

*Same for R side

③ Attach the front bumper side garnish to the front bumper. (Refer to service manual)

④ Attach the front bumper to the car body. (Refer to service manual)

⑤ Make sure that all parts are properly attached.

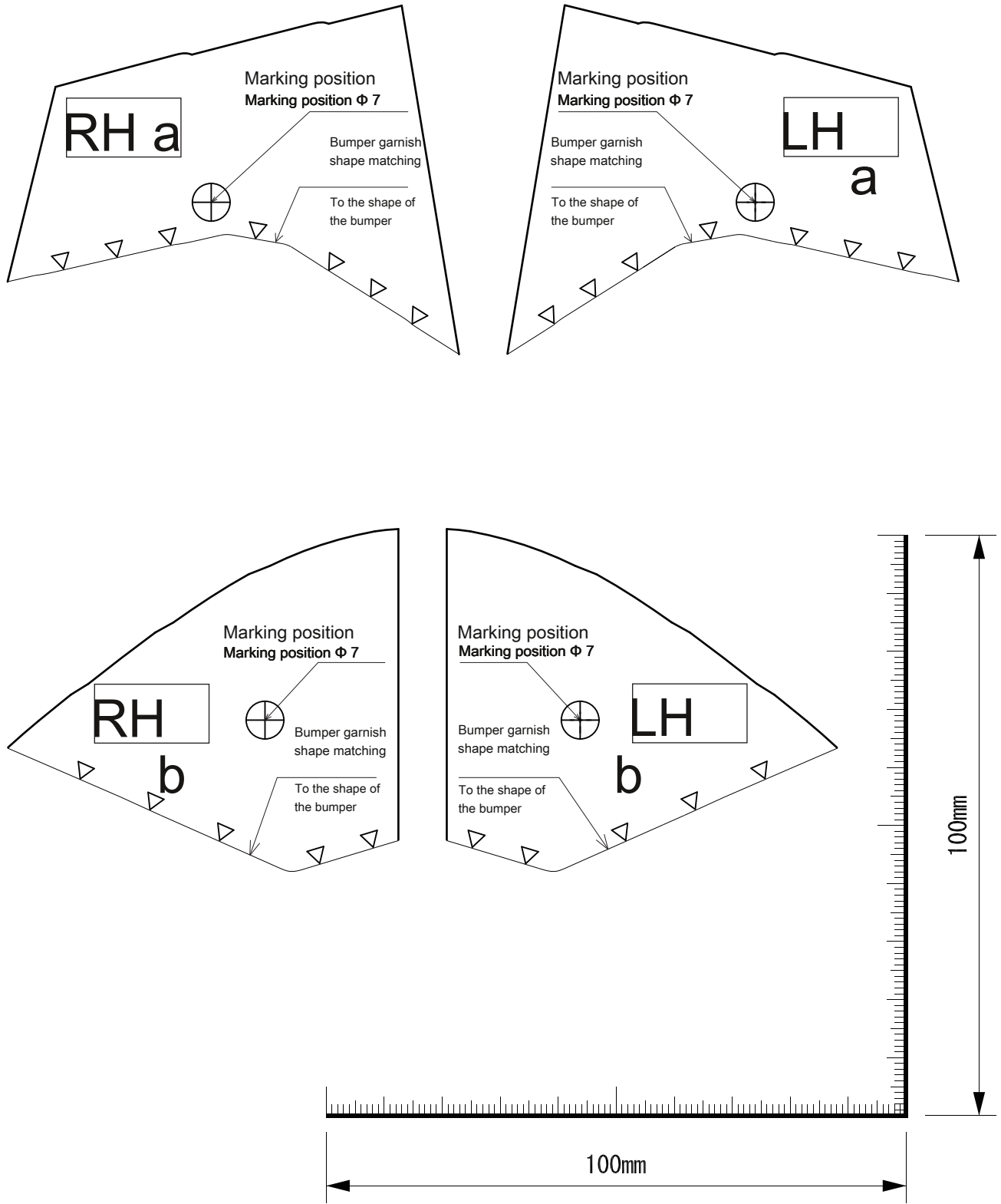
XNCF Front bumper garnish Drilling pattern

FRONT BUMPER GARNISH TEMPLATE SHEEET

(62600-XNCF-K0S0)

<Caution> When cutting the paper pattern, be careful not to hurt yourself with the knife. <NOTICE>

Be careful not to cut by yourself when you cut out the template.



SCALE 1/1